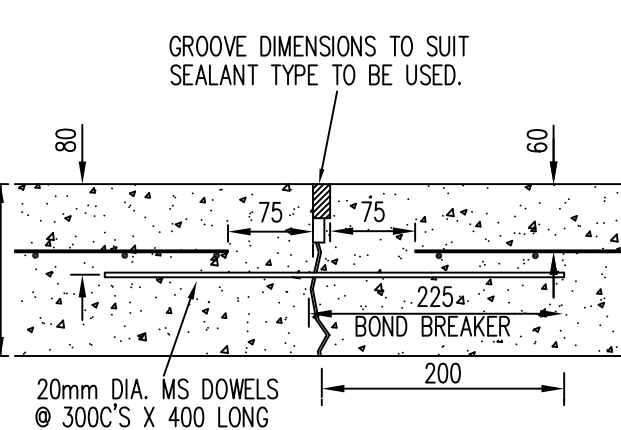
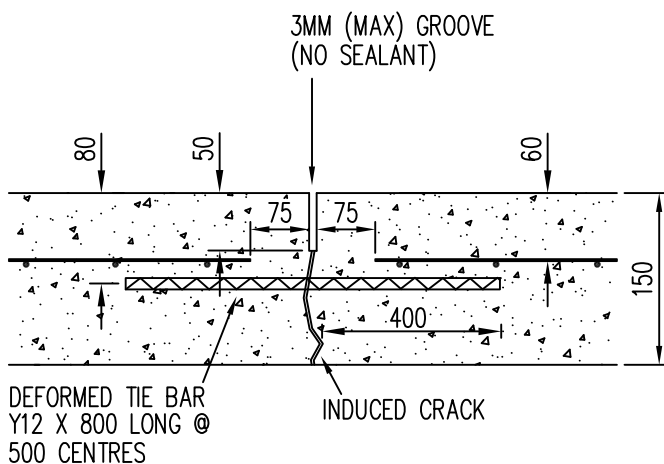


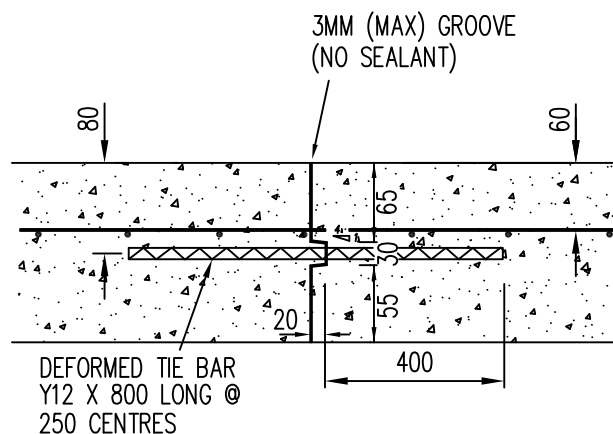
INTERMEDIATE CONTRACTION JOINT DETAILS  
SPACING 4M (MAX)



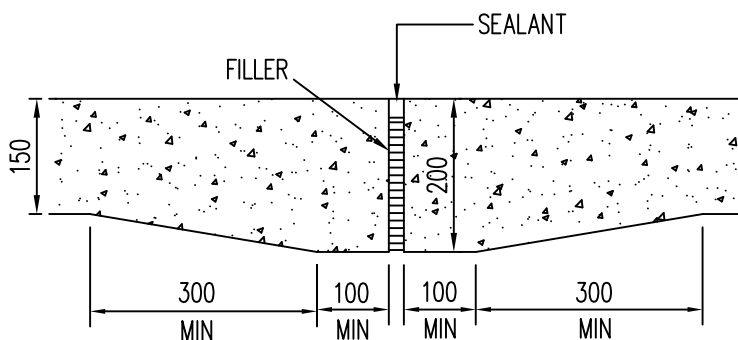
"END" CONTRACTION JOINT DETAILS  
SPACING 12M (MAX)



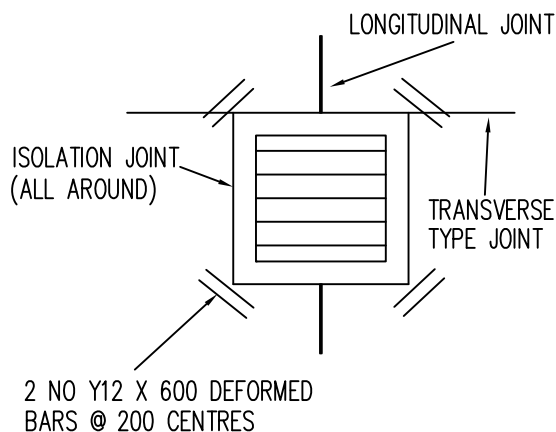
TIED JOINT DETAILS



CONSTRUCTION JOINT DETAILS



ISOLATION JOINT DETAILS



TYPICAL JUNCTION PIT JOINTING

**CITY OF CASEY**

CONCRETE SLAB JOINTING DETAILS

*Robert*

MANAGER OF ENGINEERING & ENVIRONMENTAL SERVICES

LAST UPDATE 09.11.2012

AMENDMENTS: GENERAL UPGRADE

S-805

V2