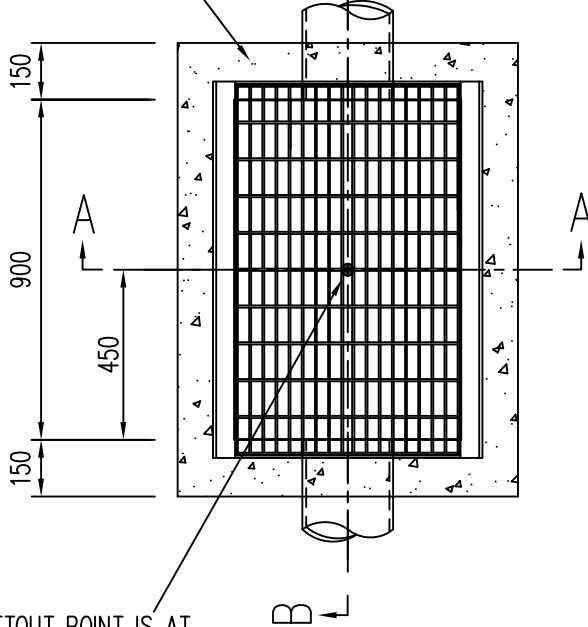


HINGED WEBFORGE WG-12
OR APPROVED EQUIVALENT
WITH 40mm INVERT



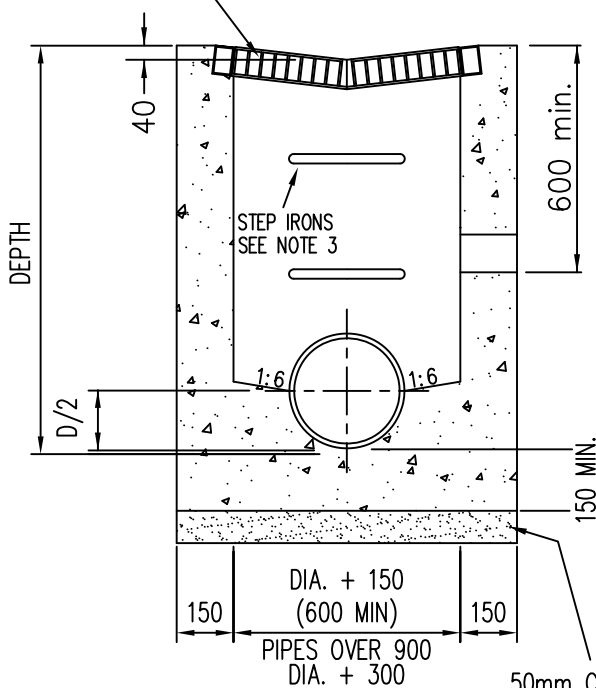
PIT SETOUT POINT IS AT
CENTRE OF PIT CHAMBER

PLAN
SCALE 1:20

NOTES:

1. FOR PIT DEPTH GREATER THAN 1.5 METRES OR PIPE DIAMETER GREATER THAN 450mm REFER TO S-309 REGARDING CORBELLING, WALL THICKNESS AND REINFORCING OF PIT WALLS
2. ALL MEASUREMENTS ARE IN MILLIMETRES.
3. STEP IRONS TO BE PROVIDED IN ALL PITS OVER 900mm DEEP.
4. PIT LID TO BE GRATED HINGED WEBFORGE WG-12 OR APPROVED EQUIVALENT WITH 40mm INVERT. GRATE TO BE "BICYCLE SAFE" IN ACCORDANCE WITH AUSTRALIAN STANDARDS.
5. WHERE NO AG PIPES ARE CONNECTED, SEAL STUBS WITH GEOTEXTILE FABRIC.

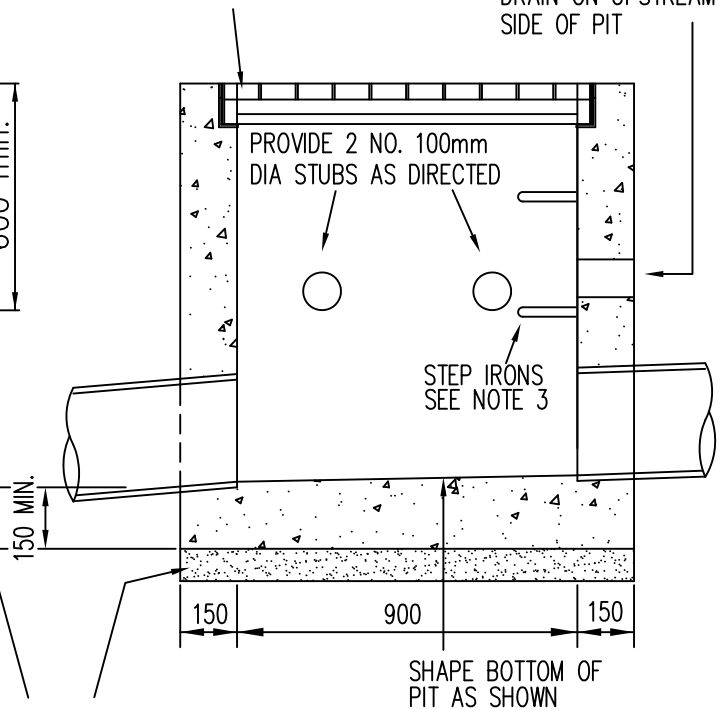
HINGED WEBFORGE WG-12
OR APPROVED EQUIVALENT
WITH 40mm INVERT



SECTION A-A
SCALE 1:20

HINGED WEBFORGE WG-12
OR APPROVED EQUIVALENT
WITH 40mm INVERT

PROVIDE 100mm AG
DRAIN ON UPSTREAM
SIDE OF PIT



SECTION B-B
SCALE 1:20

CITY OF CASEY

GRATED CATCH PIT
FOR USE IN PAVED TRAFFICKED AREAS

MANAGER OF ENGINEERING &
ENVIRONMENTAL SERVICES
LAST UPDATE 09.11.2012

S-328

AMENDMENTS: