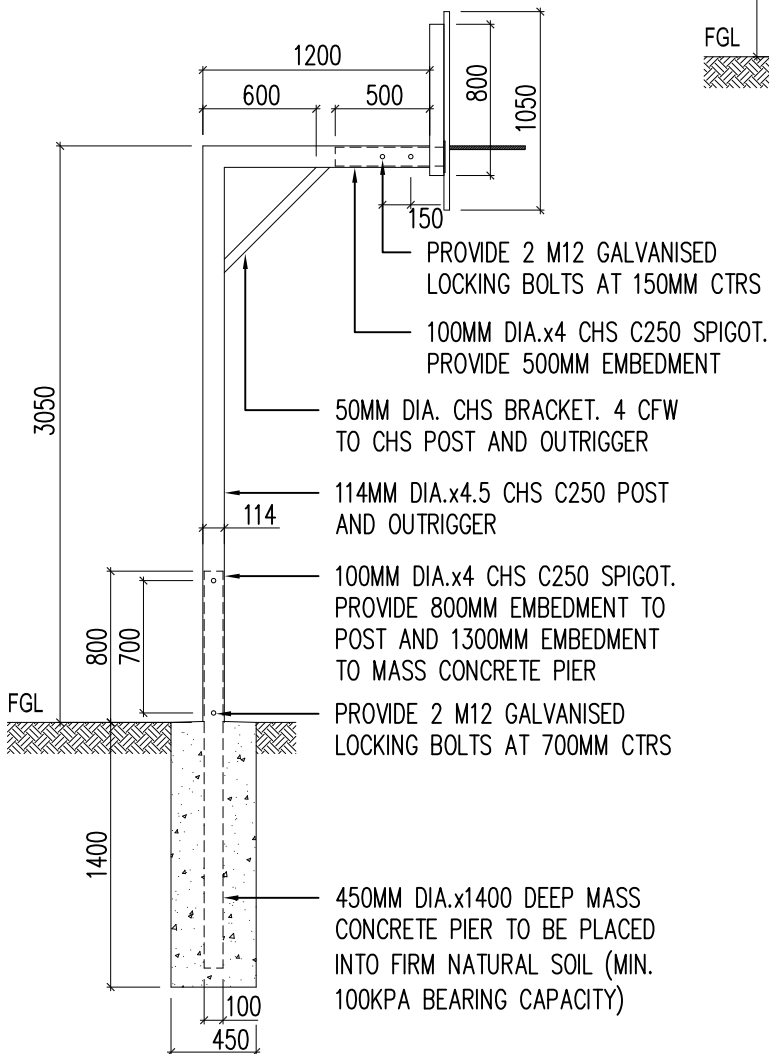
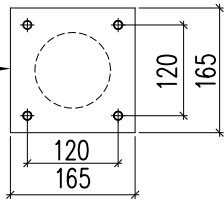


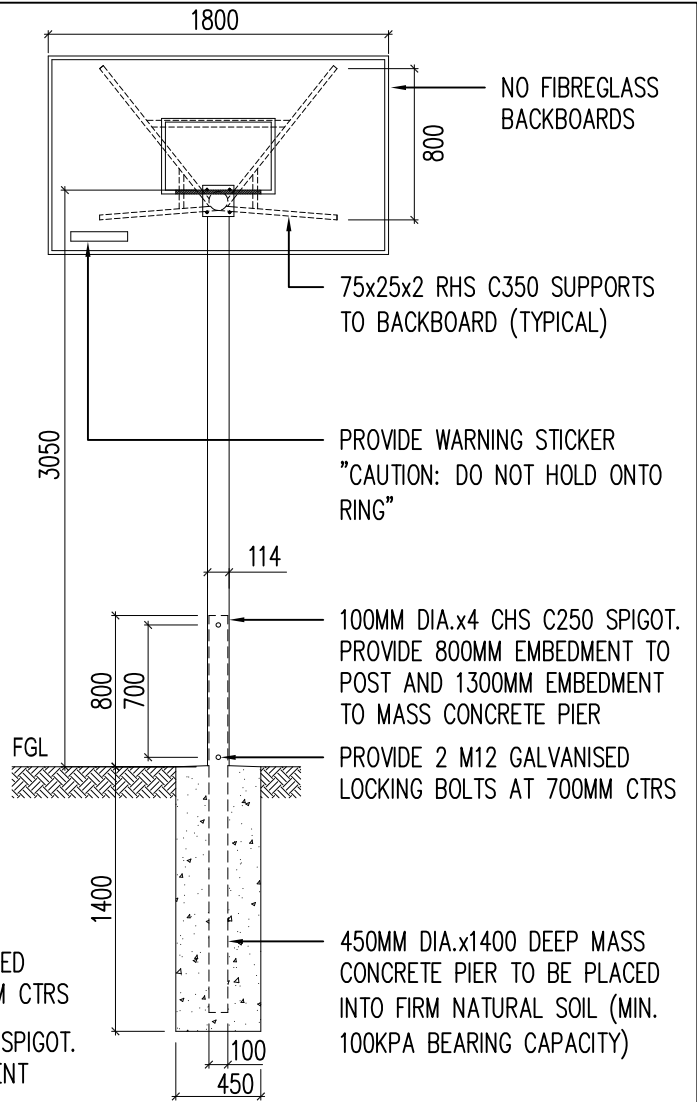
BACKBOARD SUPPORT DETAIL

165x165x6 MS BASE PLATE. 6 CFW TO CHS SPIGOT AND RHS OUTRIGGERS

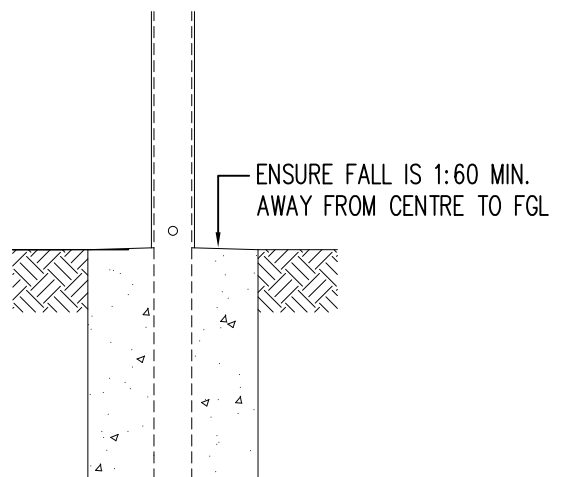
PLATE DETAIL



SIDE ELEVATION



FRONT ELEVATION



FOOTING ENLARGEMENT

CITY OF CASEY

**RECREATIONAL ELEMENTS
BASKETBALL RING AND TOWER DETAIL**

Shah

MANAGER OF ENGINEERING & ENVIRONMENTAL SERVICES

LAST UPDATE 09.11.2012

AMENDMENTS:

S-1020